

# E 85

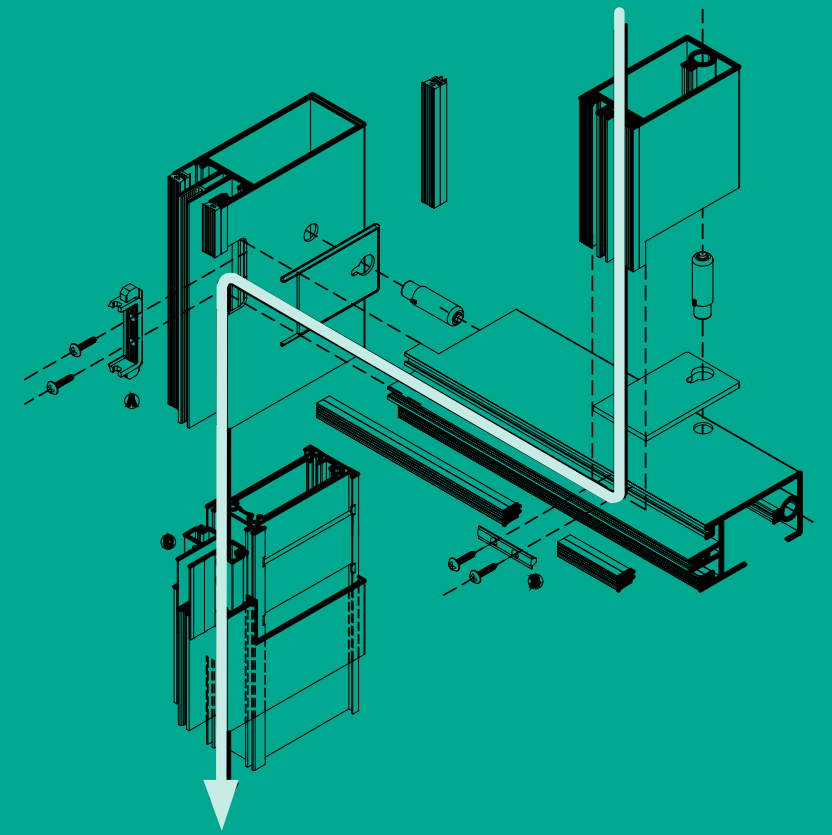
CURTAIN-  
WALL SYSTEM

DEC/2010



## HIGHLY FLEXIBLE SYSTEM FOR THE CONSTRUCTION OF CANOPYS, CUPOLAS, ATRIUMS, PYRAMIDS AND CONSERVATORIES

- 50 mm system depth
- Factory Produced Unitized and Rapid installation onsite
- Excellent thermal performance
- Highest structural stability achieved with lowest weight profiles
- Reliable T- Brackets available in a variety of shapes
- Excellent drainage of the system in three tiers



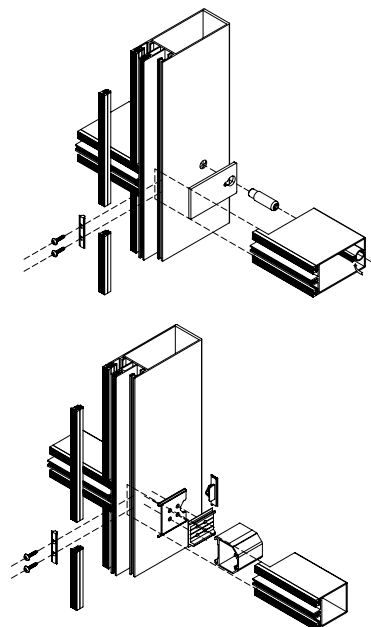
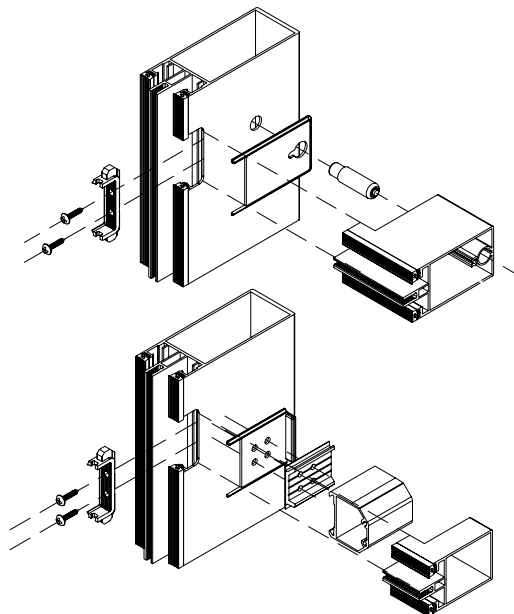
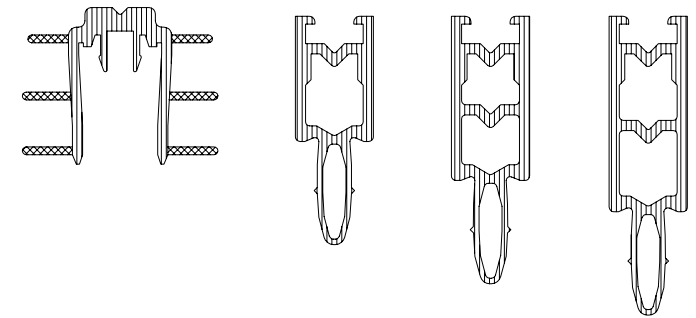


Structural Façade -  
Four Side Structural  
Glazing



Classical Façade -  
With Cover Caps

## OPTIMAL THERMAL INSULATION SERIES OF PVC INSULATORS



- Structural Vents
- Compatible with all ETEM window systems
- Custom designed solutions for conservatories
- Easy to install sun protection panels in front of the façade (smart façade)
- Ability to insert photovoltaic panels within the façade

# CERTIFICATES

## ■ **Certificate for Thermal Transmittance by ift Rosenheim institute**

- For classical façade  $U_f = 1,6 - 2,9 \text{ W/m}^2\cdot\text{K}$
- For classical façade with additional PVC insulator  $U_f = 1,6 - 2,3 \text{ W/m}^2\cdot\text{K}$
- For semi-structural facade  $U_f = 2,1 - 2,6 \text{ W/m}^2\cdot\text{K}$
- For structural façade  $U_f = 2,7 - 3,2 \text{ W/m}^2\cdot\text{K}$

## ■ **Test Certificates by ift Rosenheim institute for:**

- Classical façade - four side aluminium cap for air permeability class according to EN 12152 for water tightness - static - class R<sub>900</sub> according to EN12154 for water tightness-dynamic - 200Pa/600Pa according to ENV13050
- resistance to wind load  $-1,6 \text{ kN/m}^2 / 2,4 \text{ kN/m}^2$  according to EN 13116
  - impact resistance test - classes I4/E4 according to EN 14019
- Structural façade - four side structural glazing for air permeability class according to EN 12152 for water tightness - static - class R7 according to EN12154 for water tightness-dynamic - 200Pa/600Pa according to ENV13050
- resistance to wind load  $-1,6 \text{ kN/m}^2 / 2,4 \text{ kN/m}^2$  according to EN 13116
  - impact resistance test - classes I5/E5 according to EN 14019

## ■ **Test Certificates by ift Rosenheim institute for:**

- resistance to wind load according to EN 1991 - 1 - 1
- dead load and glass loads from  $0,5 - 6 \text{ kN}$
- Resistance to horizontal loads -  $0,5, 1$  and  $2 \text{ kN/}$

## ■ **Tests by ift Rosenheim institute for:**

- sound insulation test - glazing  $26 \text{ mm (6+15+5mm)}$   $R_w = 35 \text{ dB}$
- sound insulation test - glazing  $42 \text{ mm (13 VSG+20+9VSG)}$   $R_w = 44 \text{ dB}$

## ■ **Tests by EKANAL institute for:**

- Sound insulation test with glazing  $36 \text{ mm /4+20+/6+6/}$ ,  $R_w = 41 \text{ dB}$



**ETEM.** *Think* Adaptive

**ETEM BUILDING SYSTEMS GREECE**  
[www.etem.gr](http://www.etem.gr)

**ETEM BUILDING SYSTEMS BULGARIA**  
[www.madeinetem.com](http://www.madeinetem.com)  
T. +359 894 755 435  
[ppachev@steelmetbg.vionet.gr](mailto:ppachev@steelmetbg.vionet.gr)

**ETEM BUILDING SYSTEMS SERBIA**  
[www.etem.gr](http://www.etem.gr)

**ETEM BUILDING SYSTEMS UKRAINE**  
[www.ventfacade.com.ua](http://www.ventfacade.com.ua)

**ETEM BUILDING SYSTEMS ROMANIA**  
[www.madeinetem.com](http://www.madeinetem.com)

**DOMUS FACADES,UK**  
[www.domusfacades.com](http://www.domusfacades.com)

**ILTEGRO SPOL. S R.O., CZECH REPUBLIC**  
[www.iltegro.cz](http://www.iltegro.cz)

**MM SYSTEM, SLOVAKIA**  
[www.nextra.sk](http://www.nextra.sk)

**MKN DOO, MACEDONIA**  
[www.mkn-etem.co.mk](http://www.mkn-etem.co.mk)

[WWW.MADEINETEM.COM](http://WWW.MADEINETEM.COM)