

Q 72

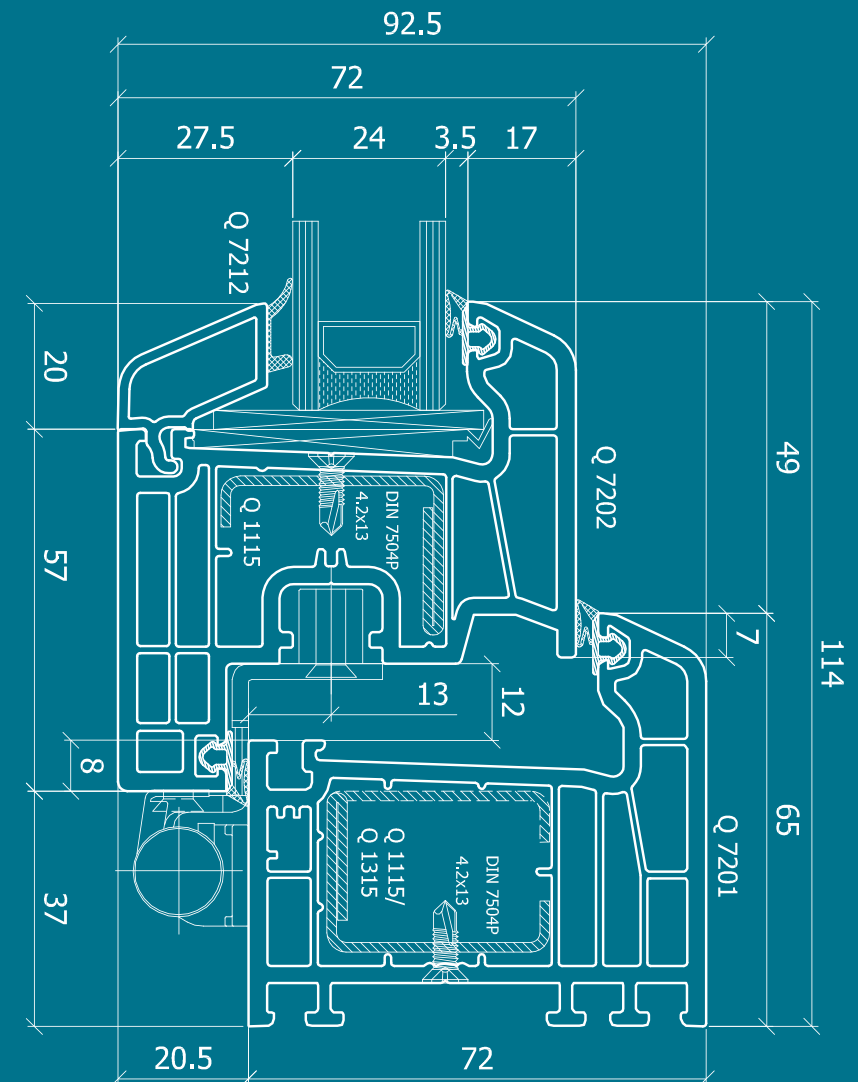
PVC SYSTEM
FOR WINDOWS
AND DOORS

SEP/2011



**FIVE-CHAMBER PVC SYSTEM CLASS “A”
WITH OPTIMIZED MOUNTING DEPTH OF
72 MM, PRODUCED WITH LEAD-FREE
ENVIRONMENTALLY-FRIENDLY
CALCIUM-ZINC STABILIZERS.**

Q72 IS DEVELOPED ACCORDING
TO THE INCREASED EUROPEAN
BUILDINGS REGULATIONS



architectural and design variety

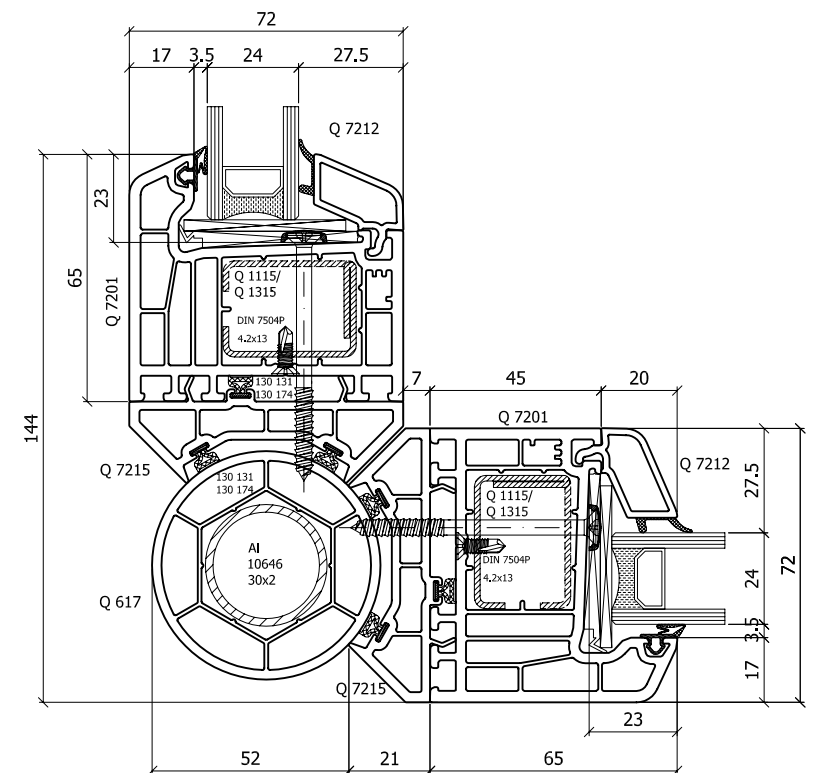


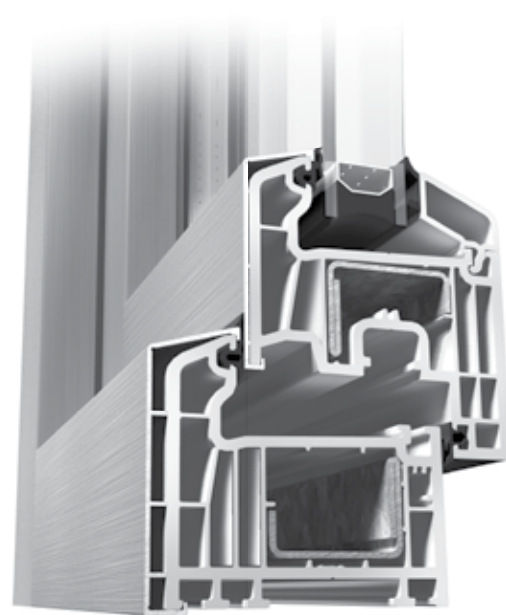
wide colour range

- heat transfer coefficient $U_w = 0.74 \text{ W/m. K}^*$
- sound insulation value $R_w = 47\text{dB}^*$
- very good light permeability with small elevation width: 114 mm

* in combination with $U_g = 0.7 \text{ W/m. K}$, warm edge - 0.06 WmK

- 1 PROVEN RAW MATERIAL SUPPLIERS
- 2 STRICT PRODUCTION CONTROL
- 3 INTEGRATED GASKETS
- 4 EASY AND SECURE HARDWARE FIXING
- 5 EQUAL REINFORCEMENT PROFILES





CLEAR LINEAL DESIGN ON THE OUTSIDE

CLASSIC ALUMINIUM LOOK

ANY CHOICE OF RAL COLOURS AND ANODIZING

POWDER COATED WOOD IMITATION



ETEM. *Think* Adaptive

ETEM GREECE
www.etem.com

ETEM BULGARIA
www.madeinetem.com
T. +359 894 754 033
itodorov@etem.com

ETEM SERBIA
www.etem.com

ETEM UKRAINE
www.etem.com.ua

ETEM ROMANIA
www.etem.ro

ETEM ALBANIA
www.etem.com

DOMUS FACADES, UK
www.domusfacades.com

ILTEGRO SPOL. S R.O., CZECH REPUBLIC
www.iltegro.cz

MM SYSTEM, SLOVAKIA
www.nextra.sk

MKN DOO, MACEDONIA
www.mkn-etem.co.mk

EPIPHANIOU, CYPRUS
www.epiphaniou.com

WWW.MADEINETEM.COM